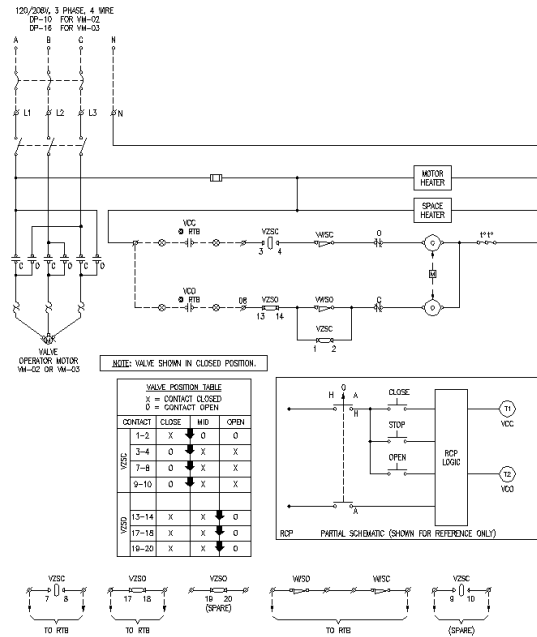


Project Experience

Metropolitan Detention Center Water Supply System Electrical, Instrumentation, and Controls Design and Construction Support Services City of Albuquerque, Albuquerque, NM County of Bernalillo, Albuquerque, NM

As a subconsultant to Boyle Engineering, Timberline provided design services for the electrical, instrumentation and control (IC&E) portions of a City/County water supply system at the Bernalillo County's Metropolitan Detention Center. The system consists of a submersible well, water treatment plant, booster pump station, a 500,000 gallon ground storage tank, and a 250,000 gallon elevated storage tank. Included in the design is the interface to the City's existing AWOMS (SCADA) system. Due to the location of the site, the radio communication system necessitated a radio repeater station. Engineering services for this "fast-track" project include analysis of design concepts, radio path profile analysis, detailed design, and preparation of bid documents including drawings, specifications and construction cost estimates. The project, for which the design has now been completed, is under construction, with Timberline provide construction support services.

Contact: Wayne Welty, Project Manager
Boyle Engineering / Albuquerque, NM
(505) 883-7700
wwelty@boyleengineering.com



DISCHARGE VALVE SCHEMATIC